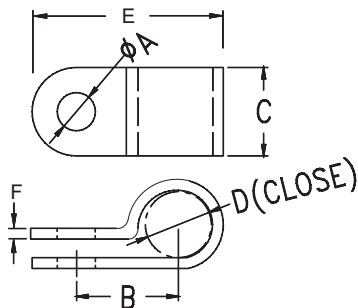


Cable Clamp Series

KLS8-0402 Cable Clamp Series



Unit:mm



Material: UL approved Nylon 66, 94V-2
CABLE CLAMPS are designed to hold cable, tubes, and components in domestic appliance, electronics and electric apparatus generally. Interior edges are radiused to protect cable insulation. To apply, just clamp down on loosen cables and screw it to chassis. Black color available

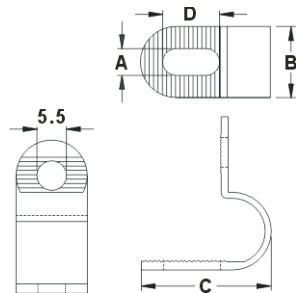
Item No.	A	B	C	D	E	F	Packing
UC-0	4.6	9.5	9.6	3.2(1/8")1'	19.8	1.4	(1000pcs)
UC-0.5	4.6	10.5	9.6	4.8(3/16")0.5'	19.8	1.4	
UC-1	4.6	10.0	10.0	6.35(1/4")2'	20.0	1.5	
UC-1.5	4.6	12.0	10.0	7.9(5/16")2.5'	22.0	1.5	
UC-2	4.6	12.5	12.0	9.5(3/8")3'	24.0	1.5	
UC-3	4.6	15.2	12.0	12.7(1/2")4'	31.0	1.5	
UC-4	4.6	18.2	12.0	15.8(5/8")5'	34.0	1.5	
UC-5	4.6	18.2	12.0	19.4(3/4")6'	35.0	1.5	
UC-6	4.6	22.0	12.0	25.4(1")1'	43.0	1.8	
UC-6.5	4.6	24.0	12.0	27.5(1 1/16")	50.0	1.8	
UC-7	4.6	26.2	12.0	31.8(1 1/4")2'	46.2	1.8	
UC-9	4.6	30.0	12.0	36.7(1 1/2")4'	50.0	1.8	

KLS8-0422 Adjustable Cable Clamp Series



Material: UL approved Nylon 66, 94V-2

Unit:mm



單位：mm

型號 Item No.	螺絲孔 A	B	C	D	束線徑 E	包裝 Packing
DUH-0406	5	13	13.5	10.4	4.8-6.4	100pcs
DUH-0609	5	13	30.5	16.1	6.7-9.5	
DUH-0914	5	13	40.0	20.7	9.5-14.3	

材質：UL合格之NYLON66(本色)，防火等級94V-2。
特點：橢圓孔之設計，可調整束線徑大小。