

# AMR4 SERIES

AC - DC DIN RAIL MOUNTABLE POWER SUPPLY  
INDUSTRIAL CONTROL EQUIPMENT



## FEATURES

- UNIVERSAL INPUT 90~264VAC
- SHORT CIRCUIT PROTECTION
- INTERNAL INPUT FILTER
- LOW PROFILE FOR BUILDING AUTOMATION
- 3 YEARS WARRANTY



## MODEL LIST

MODEL NO.	INPUT VOLTAGE	OUTPUT WATTAGE	OUTPUT VOLTAGE	OUTPUT CURRENT	EFF. (min.)	EFF. (typ.)
<b>Single Output Models</b>						
AMR4-05	90~264 VAC	35 WATTS	+ 5 VDC	7000 mA	78%	80%
AMR4-12	90~264 VAC	54 WATTS	+ 12 VDC	4500 mA	82%	84%
AMR4-15	90~264 VAC	60 WATTS	+ 15 VDC	4000 mA	83%	85%
AMR4-24	90~264 VAC	60 WATTS	+ 24 VDC	2500 mA	84%	86%

## SPECIFICATION

All Specifications Typical At Nominal Line, Full Load, 25°C Unless Otherwise Noticed

GENERAL						
Characteristics	Conditions	min.	typ.	max.	unit	
Switching frequency	Vi nom, Io nom	45		55	KHz	
Isolation voltage	Input-Output	3,000/4,242			VAC / VDC	
Isolation resistance	Input-Output, @ 500VDC	100			MΩ	
Ambient temperature	Operating at Vi nom	-40		+ 71	°C	
Derating (see derating curve)	Vi nom, from +56°C to +71°C			2.5	% / °C	
Storage temperature	Non operational	-40		+ 85	°C	
Relative humidity	Vi nom, Io nom	20		95	% RH	
Temperature coefficient	Vi nom, Io min			± 0.03	% / °C	
MTBF	Bellcore Issue 6 @40°C, GB	5V	672,000		Hours	
		12V	647,000		Hours	
		15V	650,000		Hours	
		24V	662,000		Hours	
Altitude during operation	IEC 60068-2-13			4,850	m	
Dimension			L91 x W71 x D56.5		mm	
Cooling	Free air convection					
Installation position	Vertical ( other direction may derating using )					
Pollution degree				2		

## INPUT SPECIFICATIONS

Characteristics	Conditions	min.	typ.	max.	unit
Rated input voltage	Io nom	100		240	VAC
Absolute input max. range	Ta min ... Ta max, Io nom	AC in	90	264	VAC
		DC in	120	375	VDC
Input current	Vi : 115 / 230 VAC, Io nom	5V	0.7 / 0.43		A
		12V, 15V, 24V	1.1 / 0.6		A
Rated input current	Vi : 90 VAC, Io nom	5V		1.0	A
		12V, 15V, 24V		1.5	A
Line frequency	Vi nom, Io nom	47		63	Hz
Inrush current	Vi : 115 / 230 VAC , Io nom			30 / 60	A
Power dissipation	Vi : 230 VAC, Io nom	5V	8.8		W
		12V	10.2		W



## SPECIFICATION

All Specifications Typical At Nominal Line, Full Load, 25°C Unless Otherwise Noticed

### INPUT SPECIFICATIONS

Characteristics	Conditions		min.	typ.	max.	unit
Power dissipation	Vi : 230 VAC, Io nom	15V		10		W
		24V		9.9		W
Leakage current	Input-Output				0.25	mA

### OUTPUT SPECIFICATIONS

Characteristics	Conditions		min.	typ.	max.	unit
Output voltage accuracy (Adjusted before shipment)	Vi nom, Io max		0		+ 1	%
Minimum load	Vi nom		0			%
Line regulation	Io nom, Vi min ...Vi max				± 1	%
Load regulation	Vi nom, Io min ...Io nom				± 1	%
Voltage trim range	Vi nom, 0.8 Io nom	5V	5		5.5	VDC
		12V	12		14	VDC
		15V	13.5		16.5	VDC
		24V	24		28	VDC
Rated continuous loading	Vi nom,	5V	7A @ 5VDC / 6.3A @ 5.5VDC			
		12V	4.5A @ 12VDC / 3.8A @ 14VDC			
		15V	4A @ 15VDC / 3.6A @ 16.5VDC			
		24V	2.5A @ 24VDC / 2.1A @ 28VDC			
Hold up time	Vi : 115 / 230 VAC, Io nom	5V, 12V	16 / 60			ms
		15V, 24V	12 / 60			ms
Turn on time	Vi nom, Io nom				1,000	ms
Rise time	Vi nom, Io nom	→ with 3500 μF CAP			1,500	ms
	Vi nom, Io nom	→ with 3500 μF CAP			500	ms
Fall time	Vi nom, Io nom				150	ms
Transient recovery time	Vi nom, I ~ 0.5 Io nom				2	ms
Ripple & noise	Vi nom, Io nom, BW = 20MHz				50	mV
Power back immunity	Vi nom, Io nom	5V	7.5			VDC
		12V	18			VDC
		15V	22			VDC
		24V	35			VDC
Capacitor load	Vi nom, Io nom				3,500	μF
DC ON indicator threshold at start up (Green LED)	Vi nom, Io nom	5V	3.5		4.5	VDC
		12V	9		10.8	VDC
		15V	11		13.5	VDC
		24V	19.2		21.6	VDC
DC LOW indicator threshold after start up (Red LED)	Vi nom, Io nom	5V	3.5		4.5	VDC
		12V	9		10.8	VDC
		15V	11		13.5	VDC
		24V	19.2		21.6	VDC
Efficiency	Vi nom, Io nom, Po / Pi		Up to 86%, See model list and typ efficiency curve			

### CONTROL AND PROTECTION

Characteristics	Conditions		min.	typ.	max.	unit
Input fuse			T2A / 250VAC internal			
Internal surge voltage protection	IEC 61000-4-5		Varistor			
Rated over load protection	Vi nom (see typ current limited curve)		110		150	%
Over voltage protection	Vi nom, Io nom (Auto Recovery)	5V	5.75		6.5	VDC
		12V	15		16.5	VDC
		15V	18		20	VDC
		24V	30		33	VDC
Output short circuit			Fold forward			
Degree of protection			IP20			

## SPECIFICATION

All Specifications Typical At Nominal Line, Full Load, 25°C Unless Otherwise Noticed

### APPROVALS AND STANDARDS

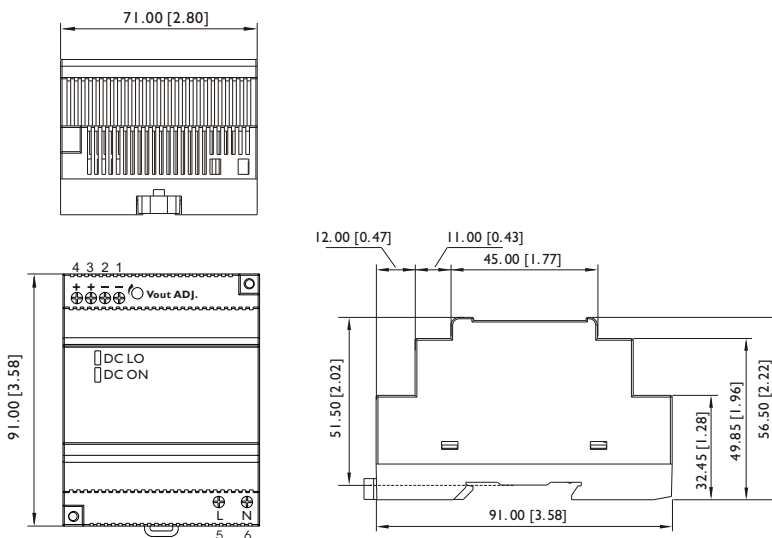
UL / cUL	UL 508 Listed UL 60950-1, UL 1310 Class 2 Power (only 5V w/o Class 2) Recognized ISA 12.12.01(Class I, Division 2, Groups A, B, C and D)
TUV	EN 60950-1
CE	EN 61000-6-3, EN 55032 Class B, EN 61000-3-2, EN 61000-3-3 EN 61000-6-2, EN 55024, EN 61000-4-2 Level 4, EN 61000-4-3 Level 3 EN 61000-4-4 Level 4, EN 61000-4-5 L-N Level 3 EN 61000-4-6 Level 3, EN 61000-4-8 Level 4, EN 61000-4-11 ENV 50204 Level 2, EN 61204-3
Vibration resistance	meet IEC 60068-2-6 (Mounting on rail : 10-500 Hz, 2G, along X, Y, Z each Axis, 60 min for each Axis)
Shock resistance	meet IEC 60068-2-27 (15G, 11ms, 3 Axis, 6 Faces, 3 times for each Face)

### PHYSICAL CHARACTERISTICS

Case size	91 x 71 x 56.5 mm (3.58 x 2.8 x 2.22 inches)
Case material	Plastic
Weight	250g
Packing	0.31kg ; 48pcs / 16kg / 2.28CUFT

### MECHANISM & PIN CONFIGURATION

mm [inch]



#### CONSTRUCTION

Easy snap-on mounting onto the DIN-Rail (TS35/7.5 or TS35/15), unit sits safely and firmly on the rail; no tools required even to remove

#### INSTALLATION

Ventilation / Cooling  
Normal convection  
All sides 25mm free space  
For cooling recommended  
Connector size range  
AWG24-12 (0.2~2.5mm<sup>2</sup>) flexible / solid cable  
-Connector can withstand torque at maximum 6 pound-inches.  
7m/m stripping at cable end recommends.  
Use copper conductors only, 60/75 °C

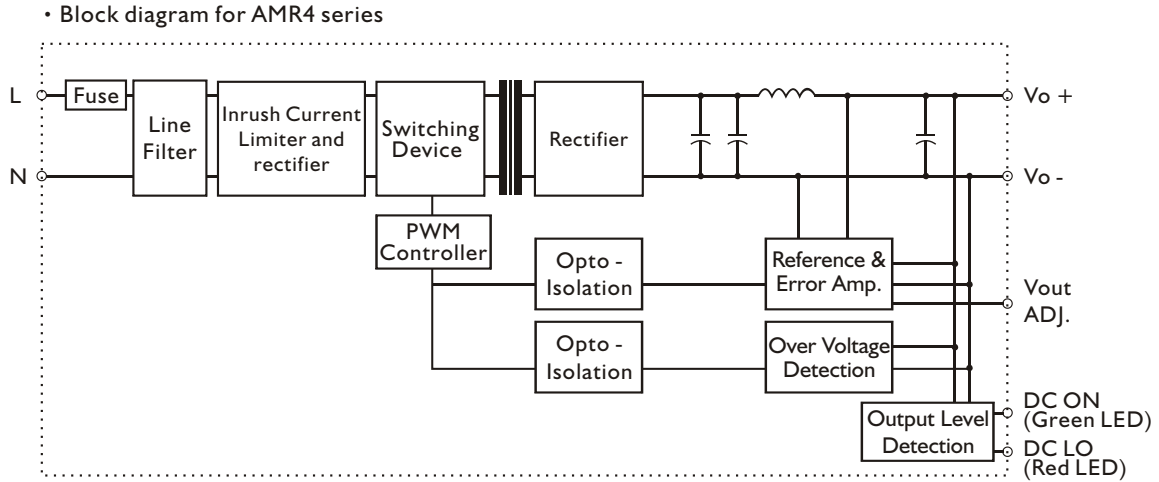
#### GENERAL TOLERANCE

0.00[0.00] - 30.00[1.18]	±0.30[0.01]
30.00[1.18] - 120.00[4.72]	±0.50[0.02]

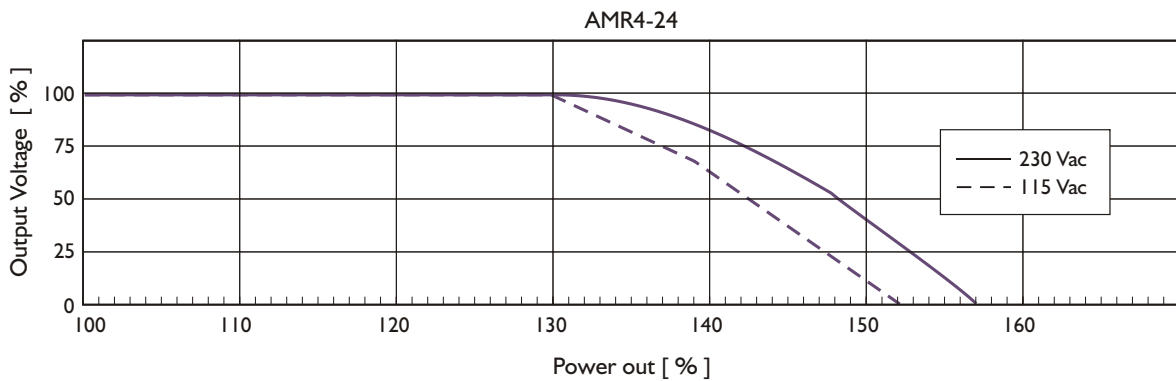
### PIN ASSIGNMENT

PIN NO.	Designation	Description
1, 2	OUT	- Negative output terminal
3, 4		+ Positive output terminal
5	IN	L Input terminals (phase conductor, no polarity at DC input)
6		N Input terminals (neutral conductor, no polarity at DC input)
	OTHER	Vout ADJ. Trimmer-potentiometer for Vout adjustment
		DC ON Operation indicator LED
		DC LO DC Low indicator LED

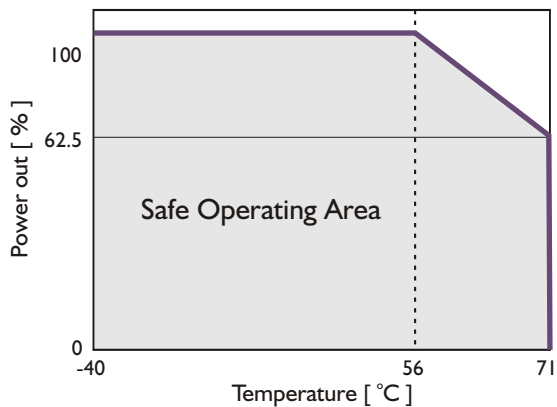
## CIRCUIT SCHEMATIC



## TYP. CURRENT LIMITED CURVE



## DERATING CURVE



## TYP. EFFICIENCY CURVE

