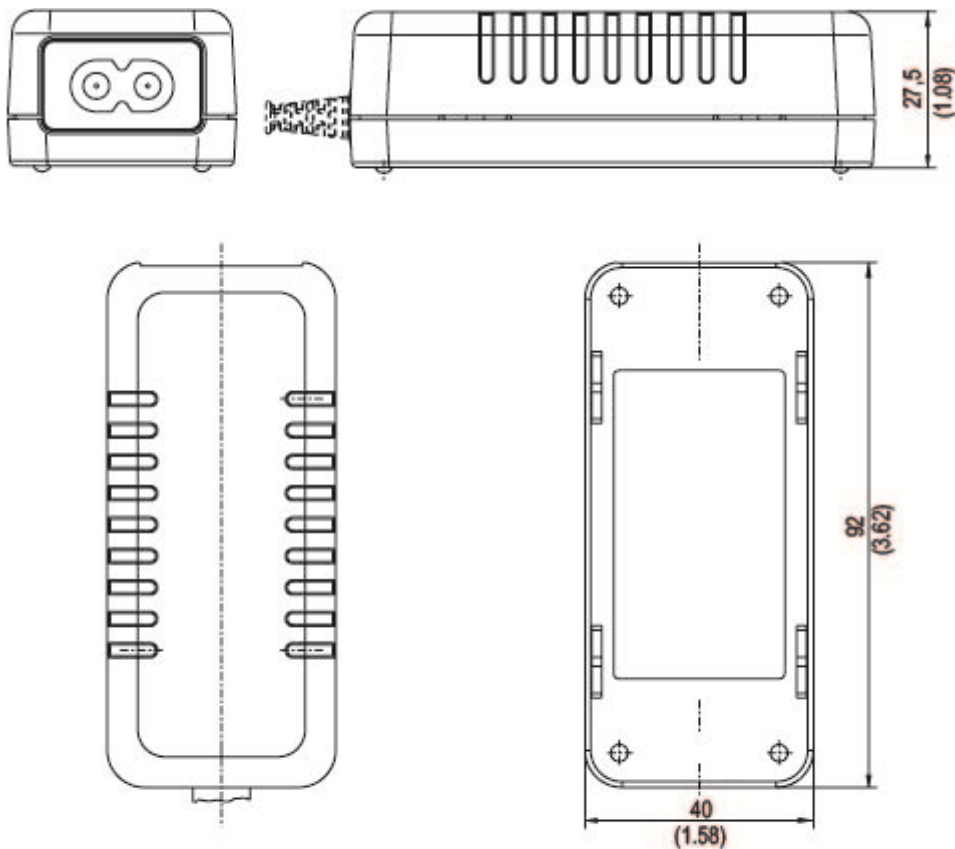


Product information "DT12" 1898757 friwo

- **Output voltage:** 12 V
- **Family :** DT12
- **Current:** 1000 mA
- **Output voltage tolerance:** +5% / -5%
- **Frequency:** 50 / 60 Hz
- **AC Input:** 2 pole, IEC60320-C8 socket
- **Humidity:** 10% bis 90%
- **Working temperature:** 0°C - 40°C
- **Storage temperature**
: -10°C - +70°C
- **Standard:** IEC60950-1
- **MTBF:** 200.000 h acc. Mil217F (based on calculations at 120Vac/60Hz & 230Vac/50Hz, ambient 25°C and 100% load) h
- **DC output:** Universal output plug system
- **Input tolerance:** ±10%
- **Input voltage:** 100-240 V
- **FW-Type:** FW7402/12
- **Protection Class:** II
- **color:** black
- **leakage current:** ≤250 µA
- **Start-up-time:** ≤2 sec.



Alle Abmessungen in Millimeter (Inch), Abweichung ± 0,5 (0.02)
All Dimensions in Millimeter (Inch), Deviation ± 0,5 (0.02)